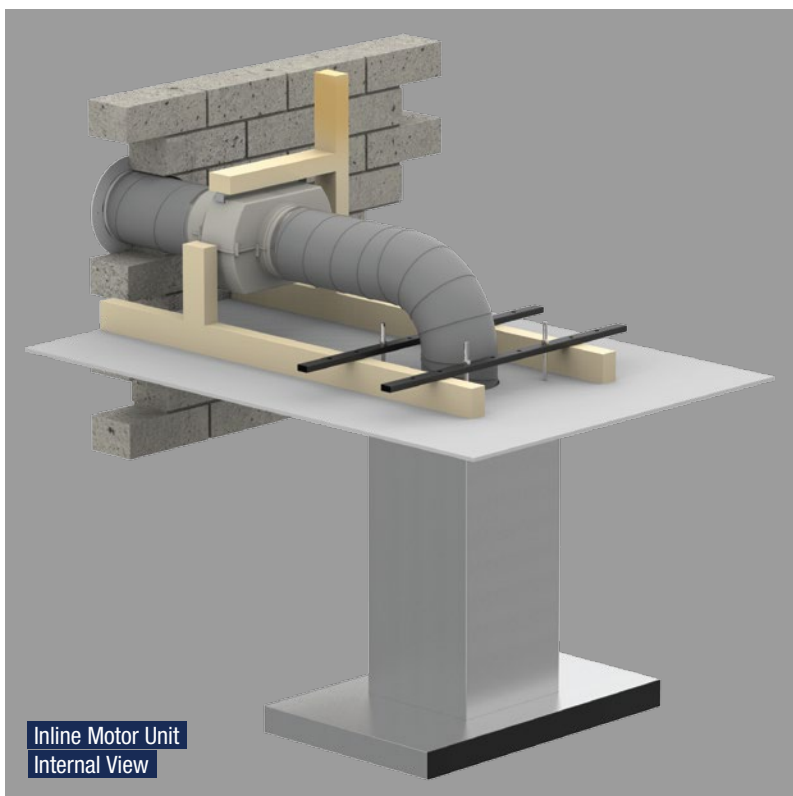
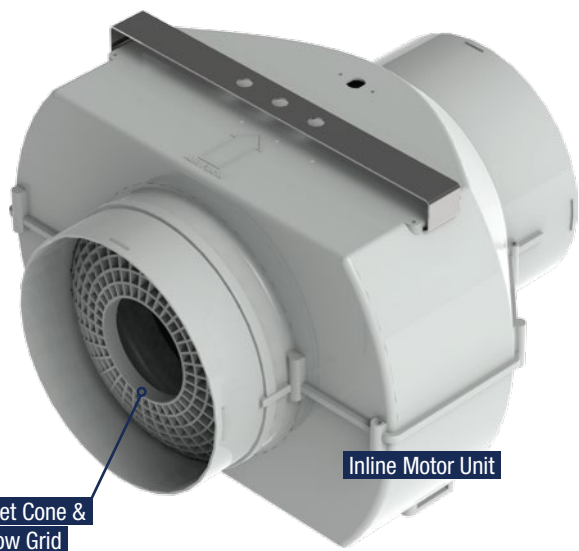
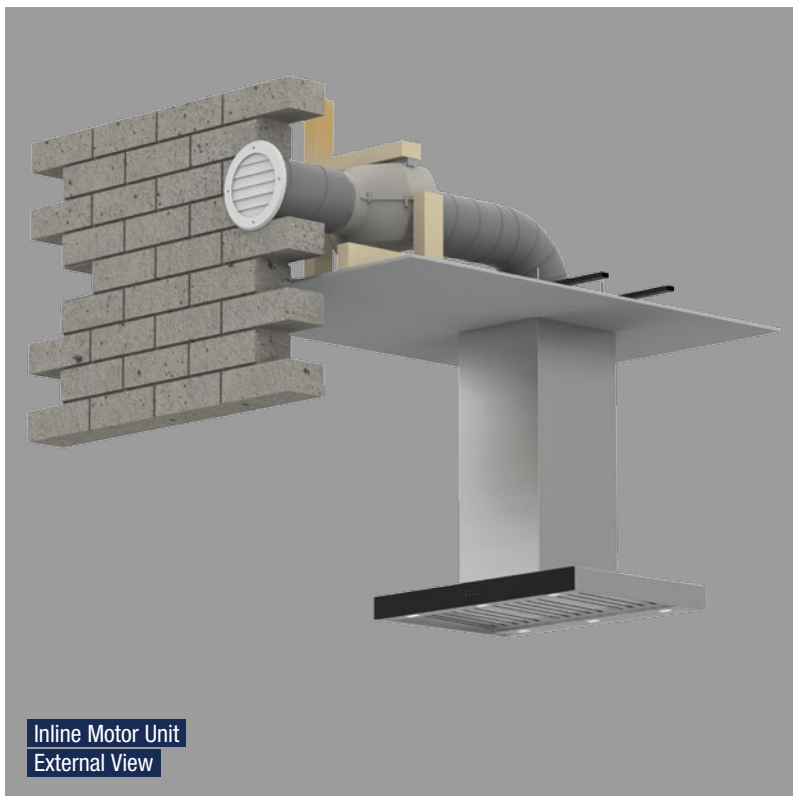


REMOTE FAN MOTOR - INLINE UNIT

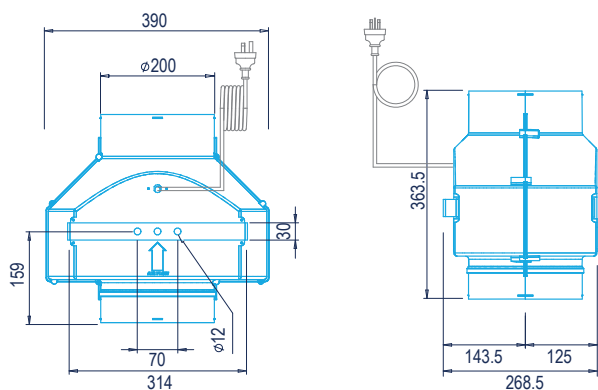


Product Features

Motor Mounting	Inline - Through Wall or Eave
Extraction Levels Available	Model: IL.800 Lite - 800 m³/hr (222 L/s @ 50pa) Model: IP.1140 Pro - 1140 m³/hr (317 L/s @ 50pa)
Finish	High Grade FR ABS Plastic Colour: Shale Grey
Ducting	200mm Acoustic (PVC Coated) Flexi Ducting Five (5) Metre Length Supplied
Duct Clamps	Dia. 200mm (Stainless Steel) - 4X Units Supplied
Vent	Dia. 220mm Aluminium with fine mesh liner and Powder Coat Finish - Colour: White - 1X Unit Supplied
Fan Power Supply	Cable Length: Three (3) Metres
Sound Pressure Level	IL.800: 52dB(A)* when operating at 'Boost' speed IP.1140: 58dB(A)* when operating at 'Boost' speed <i>* Outside Level @ 1M & System Pressure 50pa</i>



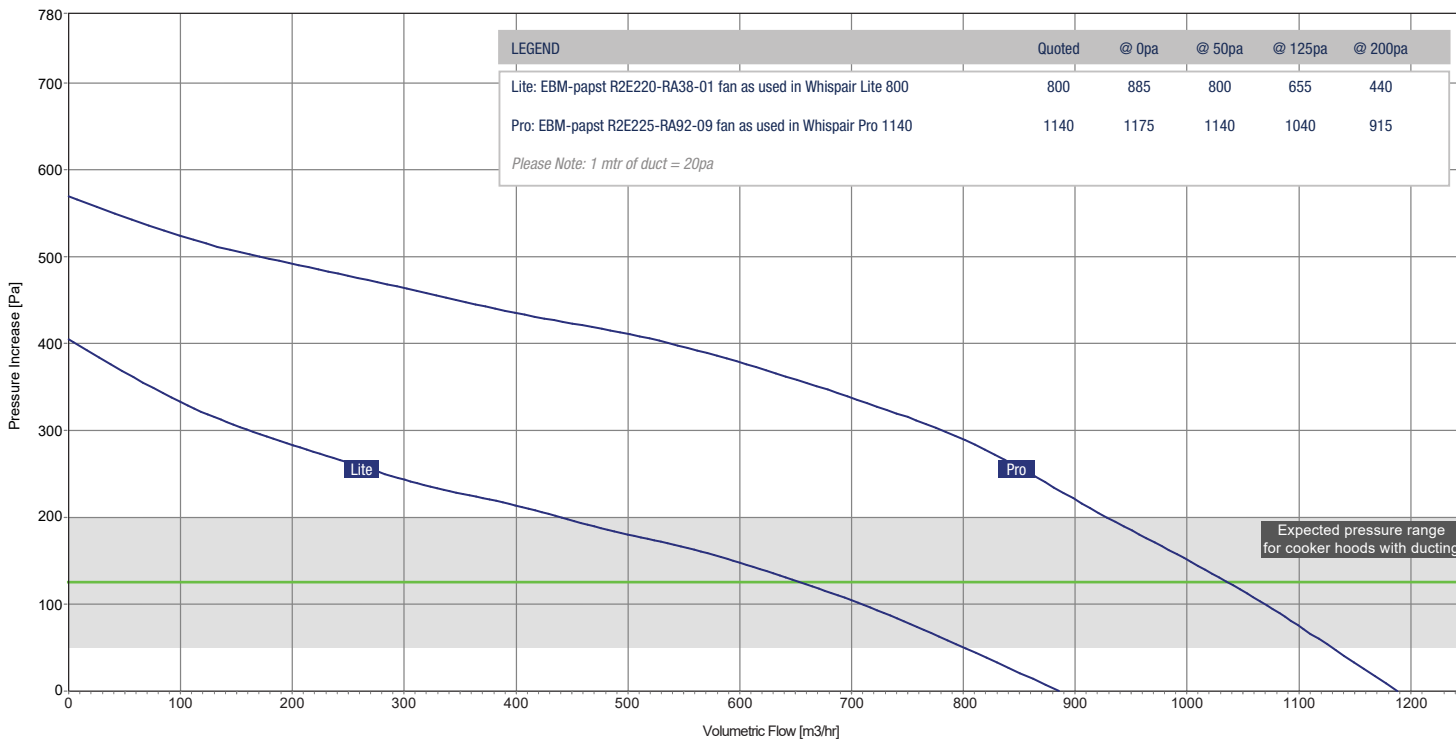
Dimensioned Drawings



REMOTE FAN MOTOR - INLINE UNIT



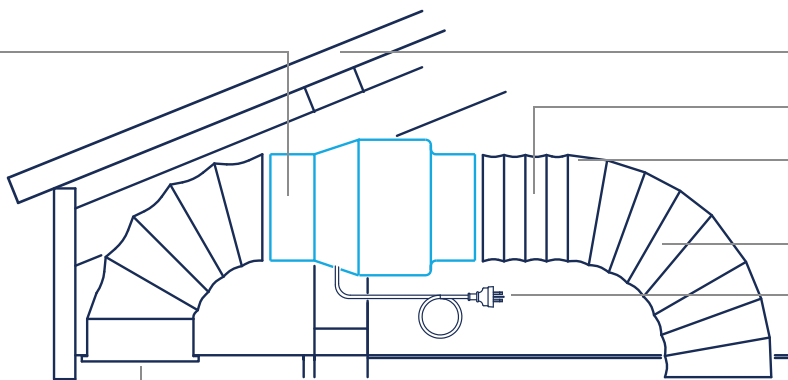
Performance Charts



Installation Schematics



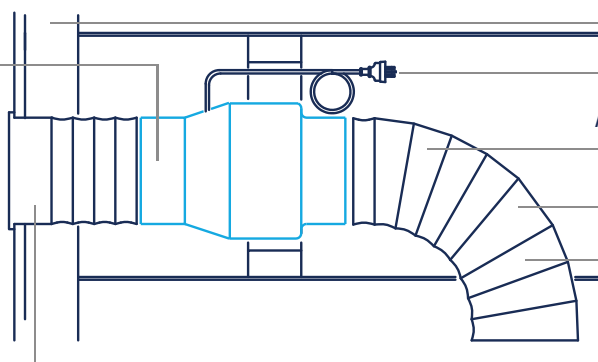
**INLINE KLEENAIR
FAN MOTOR SOLUTION**
Vented through Eave



- Roof
- Ducting Pulled Tight
- 200mm Ducting Attached to Internal Hood Unit Outlet
- Gentle Bend In Ducting
- Fan Power Supply Attached to Internal Hood Unit
- Vent & Eave



**INLINE KLEENAIR
FAN MOTOR SOLUTION**
Vented through Wall



- Wall
- Fan Power Supply Attached to Internal Hood Unit
- Gentle Bend In Ducting
- Ducting Pulled Tight
- 200mm Ducting Attached to Internal Hood Unit Outlet
- Vent