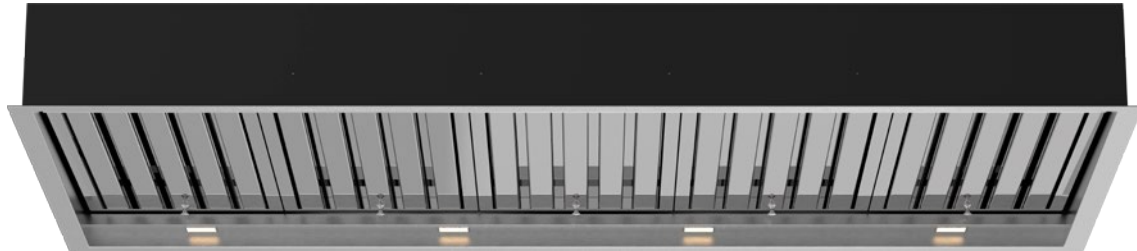




PROUDLY AUSTRALIAN OWNED
DESIGNED & ASSEMBLED IN MELBOURNE



PREMIUM GERMAN MADE
MOTOR SYSTEMS



Product Detail

Model Number	X9B15S
Hood Mounting	Ceiling Mounted Cassette
Cooking Coverage	Suits 120cm - 150cm Cooking Surfaces
Filtration	S-Flow Baffle Filters 5x (H-25) - Dishwasher Safe
Lighting	LED 8x (Warm White 1.0W) - Side Panels
Finish	AISI316 1.0mm Marine Grade Stainless Steel
Controls	LED Backlit 4 Button <i>mastermind</i> Electronic Control with LED Speed Indicator with Remote Controller
Speed Settings	3 Speed + Boost Mode
Timer Function	Programmable Timer (10min Increments) Auto fan shut off after 2-hours of inactivity
Outlet	Top Duct Outlet
Ducting (Remote)	Dia. 200mm Acoustic Flexi Ducting - Five (5) Meter Length (2x Supplied)
Hood Width	1500mm
Hood Depth	680mm
Hood Height	152mm (Top Duct Outlet - Plus 25mm)
Installation Height	1200 - 1500mm* (Recommended) <small>* Clearance above the highest point of the cooktop to the underside of hood</small>

Whispair Endurance Warranty



5 YEAR WARRANTY
ON REPLACEMENT PARTS & LABOUR



10 YEAR WARRANTY
ON REPLACEMENT PARTS & LABOUR



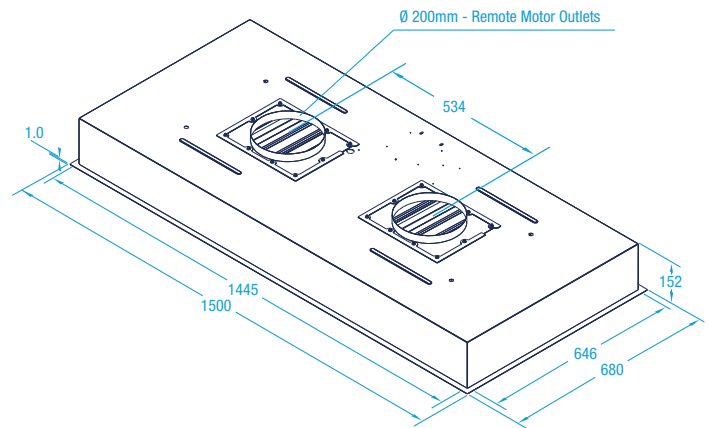
LIFETIME
REPLACEMENT PARTS WARRANTY

Your Hood. Your Colour. Your Way.

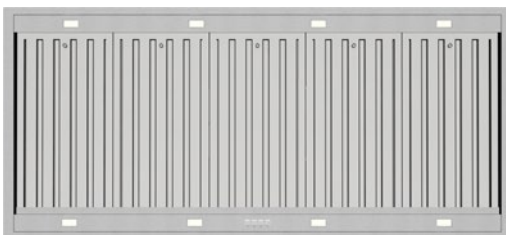
Available Finishes (Stainless Steel Finish Standard)



Dimensioned Drawing



Filtration Zone



Available Models - Select Your Motor Solution & Optional Finish

Remote External (Roof or Wall Mounted)

X9B15S5.2EPP "Twin" Pro Plus 2,010m³/hr SPL: 56.6dB(A) In / 62.8dB(A) Out

*Your Hood. Your Colour. Your Way. (Optional Ceiling Cassette Finish)**

X1P7.BL Paint Finish - Satin Black
X1P7.WH Paint Finish - Satin White
X1P7.CUS Paint Finish - Custom Colour

*Additional charges apply

SPL - Nominal Sound Pressure Level on Boost (Max) Speed