



PROUDLY AUSTRALIAN OWNED  
DESIGNED & ASSEMBLED IN MELBOURNE



PREMIUM GERMAN MADE  
MOTOR SYSTEMS



**Product Detail**

<b>Model Number</b>	X7V09S
<b>Hood Mounting</b>	Island Mounted Canopy
<b>Cooking Coverage</b>	Suits 75cm - 100cm Cooking Surfaces
<b>Filtration</b>	S-Flow Baffle Filters 3x (H-25) - Dishwasher Safe
<b>Lighting</b>	LED 6x (Warm White 1.0W) - Front & Rear Panels
<b>Finish</b>	<b>AISI304 1.0mm</b> Food-Grade Stainless Steel
<b>Chassis</b>	Triple Layer - Insulated with Sound Deadening Foam
<b>Controls</b>	LED Backlit 4 Button <i>mastermind</i> Electronic Control with LED Speed Indicator
<b>Speed Settings</b>	3 Speed + Boost Mode
<b>Timer Function</b>	Programmable Timer (10min Increments) Auto fan shut off after 2-hours of inactivity
<b>Outlet</b>	Top Duct Outlet
<b>Ducting (Remote)</b>	Dia. 200mm Acoustic Flexi Ducting - Five (5) Meter Length (Supplied)
<b>Ducting (On Board)</b>	Optional On Board Motor Ducting Kits Available Ultra Motor - Dia. 200mm (Recommended) Power Motor - Dia. 150mm (Recommended)
<b>Hood Width</b>	900mm
<b>Hood Depth</b>	600mm
<b>Hood Height (Fascia)</b>	120mm
<b>Installation Height</b>	700 - 750mm* (Recommended) 600mm* (Minimum) <small>* Clearance above the highest point of the cooktop to the underside of hood</small>

**Whispair Endurance Warranty**



5 YEAR WARRANTY  
COMPONENT PARTS & LABOUR



10 YEAR WARRANTY  
REPLACEMENT PARTS & LABOUR



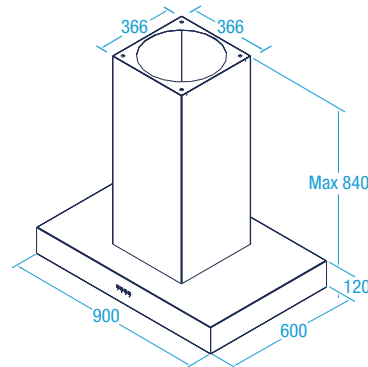
LIFETIME  
REPLACEMENT PARTS WARRANTY

**Your Hood. Your Colour. Your Way.**

Available Finishes (Stainless Steel Finish Standard)



**Dimensioned Drawing**



**Available Models - Select Your Motor Solution & Optional Finish**

<b>On Board</b>		
X7V09S5.OP (T)	Power 1,020m <sup>3</sup> /hr (Top Ducted)	SPL: 53.9dB(A) In
X7V09S6.OU (T)	Ultra 1,680m <sup>3</sup> /hr (Top Ducted)	SPL: 56.5dB(A) In
<b>Remote External (Roof or Wall Mounted)</b>		
X7V09S5.EP	Pro 1,140m <sup>3</sup> /hr	SPL: 49.6dB(A) In / 58.5dB(A) Out
X7V09S5.EPP	Pro Plus 2,010m <sup>3</sup> /hr	SPL: 56.6dB(A) In / 62.8dB(A) Out
<b>Remote Inline (Through Wall or Eave)</b>		
X7V09S5.IP	Pro 1,140m <sup>3</sup> /hr	SPL: 49.6dB(A) In / 58.5dB(A) Out

*Your Hood. Your Colour. Your Way. (Optional Island Mounted Canopy Finish)\**

X1P7.BL	Paint Finish - Satin Black
X1P7.WH	Paint Finish - Satin White
X1P7.CUS	Paint Finish - Custom Colour

*\*Additional charges apply*

*SPL - Nominal Sound Pressure Level on Boost (Max) Speed*



**Filtration Zone**

