



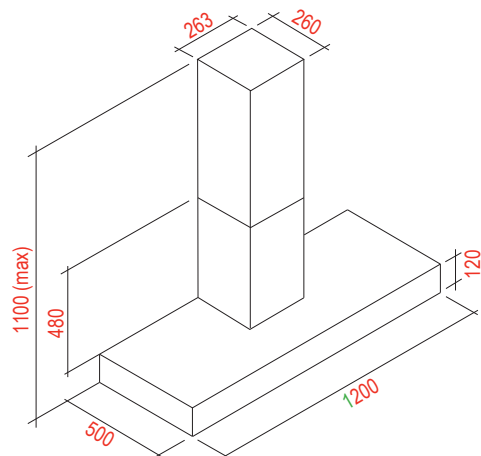
**Product Features**

Hood Mounting	Wall Hung
Motor	Remote (External Mounting)
Cooking Coverage	Suits 90cm - 130cm cooking surfaces
Filtration	Baffle Filters 3x (H-20)
Lighting	LED 4x (1W)
Finish	AISI304 Scotch Brite Stainless Steel
Controls	LED Backlit 4 Button Mastermind 'Soft Touch' Electronic Control
Speed Settings	3 Speed + Boost Mode
Timer Functions	Programmable timer (10min Increments) + Auto Shut Off After 2Hrs of Inactivity
Ducting	200mm Acoustic Flexi Ducting Five (5) Meter Length Supplied
Hood Width	1200mm
Hood Depth	500mm
Hood Height Fascia	120mm

**Filtration Zone**



**Dimensioned Drawing**



**Model Number / Extraction Unit**

X5V12S2.EPP

Wall Hung

KleenAir Pro Plus Solution - 2010 m<sup>3</sup>/hr

External (Roof or Wall Mounted) Motor System