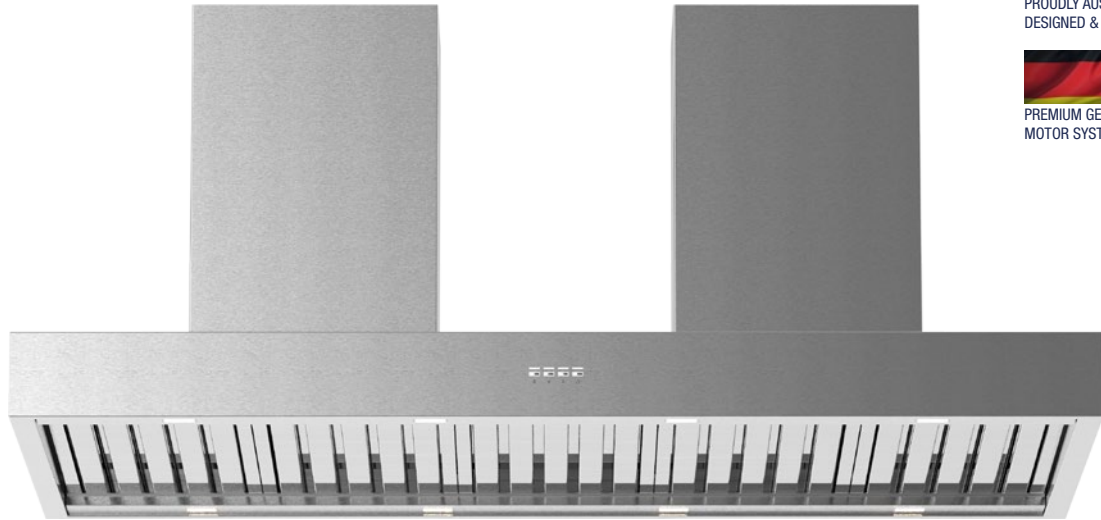




PROUDLY AUSTRALIAN OWNED
DESIGNED & ASSEMBLED IN MELBOURNE



PREMIUM GERMAN MADE
MOTOR SYSTEMS



Product Detail

Model Number	X5N15S
Hood Mounting	Wall Mounted Alfresco Canopy
Cooking Coverage	Suits 120cm - 150cm Cooking Surfaces
Filtration	S-Flow Baffle Filters 5x (H-25) - Dishwasher Safe
Lighting	LED 8x (Warm White 1.0W) - Front & Rear Panels
Finish	AISI316 1.0mm Marine Grade Stainless Steel
Chassis	Triple Layer - Insulated with Sound Deadening Foam
Controls	LED Backlit 4 Button <i>mastermind</i> Electronic Control with LED Speed Indicator with Remote Controller
Speed Settings	3 Speed + Boost Mode
Timer Function	Programmable Timer (10min Increments) Auto fan shut off after 2-hours of inactivity
Outlet	"Twin" Top or Rear Duct Outlets
Ducting (Remote)	Dia. 200mm Acoustic Flexi Ducting - Five (5) Meter Length (2x Supplied)
Hood Width	1500mm
Hood Depth	750mm
Hood Height (Fascia)	120mm
Installation Height	1200mm* (Recommended) <small>* Clearance above the highest point of the cooktop to the underside of hood</small>

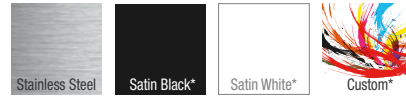


Whispair Endurance Warranty

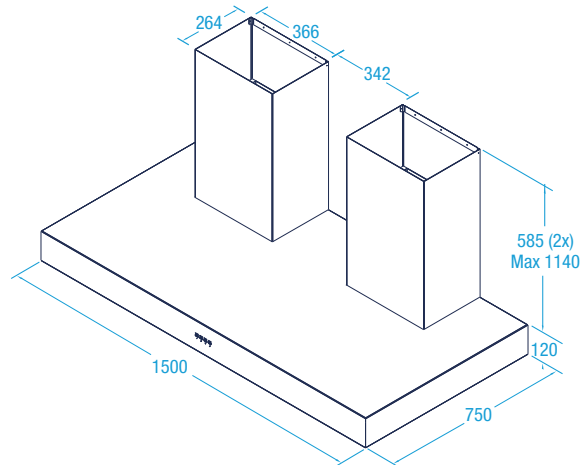


Your Hood. Your Colour. Your Way.

Available Finishes (Stainless Steel Finish Standard)



Dimensioned Drawing



Filtration Zone



Available Models - Select Your Motor Solution & Optional Finish

Remote External (Roof or Wall Mounted)
X5N15S5.2EPP 'Twin' Pro Plus 2,010m³/hr SPL: 56.6dB(A) In / 62.8dB(A) Out

*Your Hood. Your Colour. Your Way. (Optional Alfresco Canopy Finish)**

- X1P9.BL Paint Finish - Satin Black
- X1P9.WH Paint Finish - Satin White
- X1P9.CUS Paint Finish - Custom Colour

**Additional charges apply*

SPL - Nominal Sound Pressure Level on Boost (Max) Speed