



PROUDLY AUSTRALIAN OWNED
DESIGNED & ASSEMBLED IN MELBOURNE



PREMIUM GERMAN MADE
MOTOR SYSTEMS

Product Detail

Model Number	X5L09S
Hood Mounting	Wall Mounted Canopy
Cooking Coverage	Suits 75cm - 100cm Cooking Surfaces
Filtration	S-Flow Baffle Filters 3x (H-25) - Dishwasher Safe
Lighting	LED 5x (Warm White 1.0W) - Front & Rear Panels
Finish	AISI304 1.0mm Food-Grade Stainless Steel
Chassis	Triple Layer - Insulated with Sound Deadening Foam
Controls	LED Backlit 4 Button <i>mastermind</i> Electronic Control with LED Speed Indicator
Speed Settings	3 Speed + Boost Mode
Timer Function	Programmable Timer (10min Increments) Auto fan shut off after 2-hours of inactivity
Outlet	Top or Back Duct Outlet
Ducting (Remote)	Dia. 200mm Acoustic Flexi Ducting - Five (5) Meter Length (Supplied)
Ducting (On Board)	Optional On Board Motor Ducting Kits Available Ultra Motor - Dia. 200mm (Recommended) Power Motor - Dia. 150mm (Recommended)
Hood Width	900mm
Hood Depth	500mm
Hood Height (Fascia)	50mm / 250mm (Flare Angle Height)
Installation Height	700 - 750mm* (Recommended) 600mm* (Minimum) <small>* Clearance above the highest point of the cooktop to the underside of hood</small>



Filtration Zone



Whispair Endurance Warranty

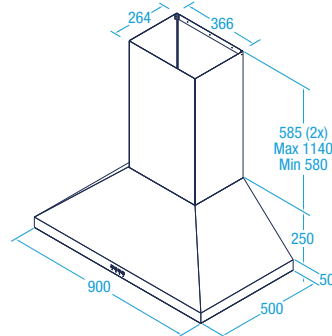


Your Hood. Your Colour. Your Way.

Available Finishes (Stainless Steel Finish Standard)



Dimensioned Drawing



Available Models - Select Your Motor Solution & Optional Finish

On Board

X5L09S5.OP (/T or /B) Power 1,020m³/hr (Top or Back Ducted)	SPL: 53.9dB(A)
X5L09S6.OU (/T or /B) Ultra 1,680m³/hr (Top or Back Ducted)	SPL: 56.5dB(A)

Remote External (Roof or Wall Mounted)

X5L09S5.EL Lite 800m³/hr	SPL: 39.3dB(A) In / 52.7dB(A) Out
X5L09S5.EP Pro 1,140m³/hr	SPL: 49.6dB(A) In / 58.5dB(A) Out
X5L09S5.EPP Pro Plus 2,010m³/hr	SPL: 56.6dB(A) In / 62.8dB(A) Out

Remote Inline (Through Wall or Eave)

X5L09S5.IL Lite 800m³/hr	SPL: 39.3dB(A) In / 52.7dB(A) Out
X5L09S5.IP Pro 1,140m³/hr	SPL: 49.6dB(A) In / 58.5dB(A) Out

*Your Hood. Your Colour. Your Way. (Optional Wall Mounted Canopy Finish)**

X1P5.BL	Paint Finish - Satin Black
X1P5.WH	Paint Finish - Satin White
X1P5.CUS	Paint Finish - Custom Colour

*Additional charges apply

SPL - Nominal Sound Pressure Level on Boost (Max) Speed