



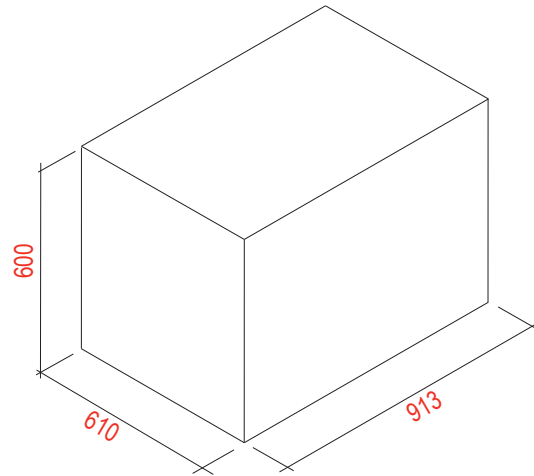
CHICAGO 90 - SERIES 2



Product Features

Hood Mounting	Wall Hung
Motor	Remote (External Mounting)
Cooking Coverage	Suits 75cm - 100cm cooking surfaces
Filtration	Baffle Filters 2x (H-20)
Lighting	LED 3x (1W)
Finish	AISI304 Scotch Brite Stainless Steel
Controls	LED Backlit 4 Button Mastermind 'Soft Touch' Electronic Control
Speed Settings	3 Speed + Boost Mode
Timer Functions	Programmable timer (10min Increments) + Auto Shut Off After 2Hrs of Inactivity
Ducting	200mm Acoustic Flexi Ducting Five (5) Meter Length Supplied
Hood Width	913mm
Hood Depth	610mm
Hood Height Fascia	600mm

Dimensioned Drawing



Model Number / Extraction Unit

X5C09S2.EPP

Wall Hung

KleenAir Pro Plus Solution - 2010 m³/hr

External (Roof or Wall Mounted) Motor System