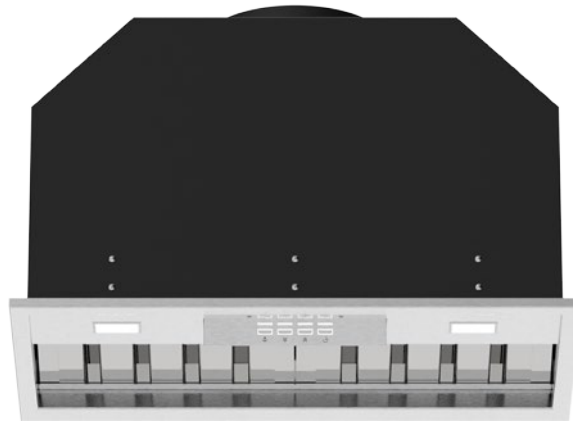




PROUDLY AUSTRALIAN OWNED
DESIGNED & ASSEMBLED IN MELBOURNE



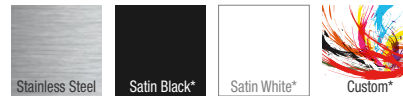
PREMIUM GERMAN MADE
MOTOR SYSTEMS



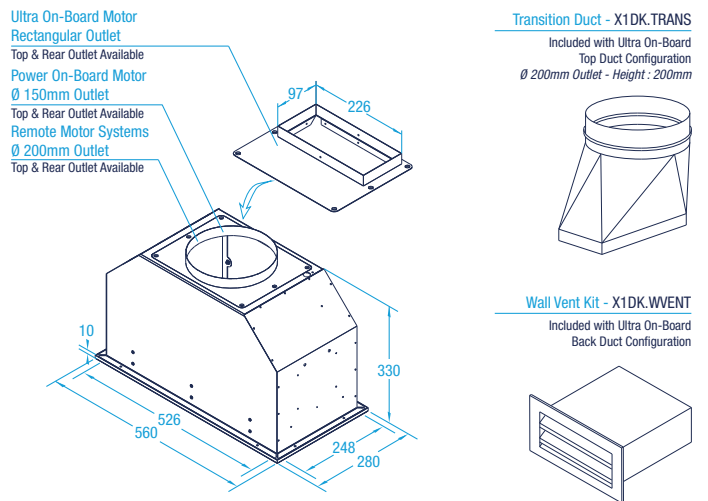
- Model Number** X3M06S
- Hood Mounting** Built In (Undermount) - Flush or Proud Install
- Cooking Coverage** Suits 50cm - 75cm Cooking Surfaces
- Filtration** S-Flow Baffle Filters 2x (H-25) - Dishwasher Safe
- Lighting** LED 2x (Warm White 1.0W) - Front Panel
- Finish** **AISI304 1.2mm** Food Grade Stainless Steel
- Controls** LED Backlit 4 Button *mastermind* Electronic Control with LED Speed Indicator
- Speed Settings** 3 Speed + Boost Mode
- Timer Function** Programmable Timer (10min Increments)
Auto fan shut off after 2-hours of inactivity
- Outlet** Top or Back Duct Outlet
- Ducting (Remote)** Dia. 200mm Acoustic Flexi Ducting - Five (5) Meter Length (Supplied)
- Ducting (On Board)** Optional On Board Motor Ducting Kits Available
Ultra Motor - Dia. 200mm (Recommended)
Power Motor - Dia. 150mm (Recommended)
- Hood Width** 560mm
- Hood Depth** 280mm
- Hood Height** 330mm (Top Duct Outlet - Plus 25mm)
- Installation Height** 700 - 750mm* (Recommended)
600mm* (Minimum)
* Clearance above the highest point of the cooktop to the underside of hood

Your Hood. Your Colour. Your Way.

Available Finishes (Stainless Steel Finish Standard)



Dimensioned Drawing



Whispair Endurance Warranty



Filtration Zone



Available Models - Select Your Motor Solution & Optional Finish

- On Board**
 X3M06S5.OP (T or /B) Power 1,020m³/hr (Top or Back Ducted) SPL: 53.9dB(A) In
 X3M06S6.OU (T or /B) Ultra 1,680m³/hr (Top or Back Ducted) SPL: 56.5dB(A) In
- Remote External (Roof or Wall Mounted)**
 X3M06S5.EL Lite 800m³/hr SPL: 39.3dB(A) In / 52.7dB(A) Out
 X3M06S5.EP Pro 1,140m³/hr SPL: 49.6dB(A) In / 58.5dB(A) Out
- Remote Inline (Through Wall or Eave)**
 X3M06S5.IL Lite 800m³/hr SPL: 39.3dB(A) In / 52.7dB(A) Out
 X3M06S5.IP Pro 1,140m³/hr SPL: 49.6dB(A) In / 58.5dB(A) Out

Your Hood. Your Colour. Your Way. (Optional Undermount Finish)*

- X1P3.BL Paint Finish - Satin Black
- X1P3.WH Paint Finish - Satin White
- X1P3.CUS Paint Finish - Custom Colour

*Additional charges apply

SPL - Nominal Sound Pressure Level on Boost (Max) Speed