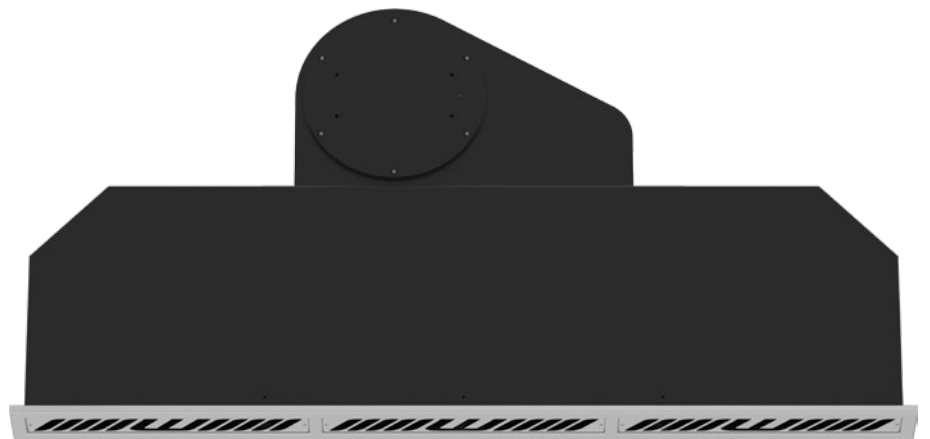


# BARCELONA 120. MAKE UP AIR SYSTEM. X2B12S.

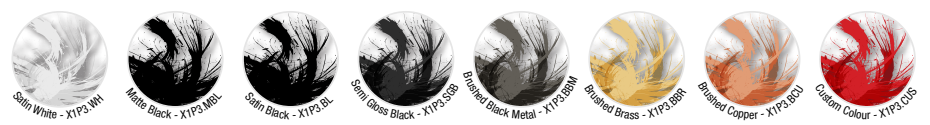
Specifications	
<b>Model No.</b>	X2B12S
<b>Hood Mounting</b>	Undermount
<b>Dimensions</b>	<b>Hood Width</b> 1160mm
	<b>Hood Depth</b> 88mm
	<b>Hood Height</b> 330mm
<b>Cooking Surface Coverage (cm)</b>	100-120cm
<b>Min Install Height</b>	600mm
<b>Recommended Install Height</b>	700-750mm
<b>Induction Suitable</b>	●
<b>Finish</b>	<b>AISI304 1.2mm Food Grade</b> ●
	<b>Your Colour Available</b> ○
<b>Filtration</b>	<b>Type: W-Vent</b> ●
	<b>Vent Quantity</b> 3
<b>Electronics</b>	<b>MasterMind</b> ●
	<b>Controls</b> Synchronised MasterMind Electronic Control
	<b>Wireless Remote</b> ○
	<b>Speed Settings</b> 3 Speed + Boost Mode
	<b>Timer Function</b> Programmable Timer 10min Increments
	<b>Auto Fan Shut Off</b> Auto Off After 2-Hours Of Inactivity
<b>Inlet</b>	<b>Outlet Position - Top</b> ●
	<b>Outlet Position - Rear</b> ○
	<b>Outlet Quantity</b> 1
	<b>Ducting (Onboard Motor)</b> Zilikon Duct - Dia. 150mm 5M Length Supplied

SELECT YOUR HOOD & MOTOR COMBINATION		X2B12S1 / X2B12S2	
<b>On Board</b>	<b>Air 550</b>	550m <sup>3</sup> /hr	.0A
	<b>AirX 550</b>	550m <sup>3</sup> /hr	.0AX

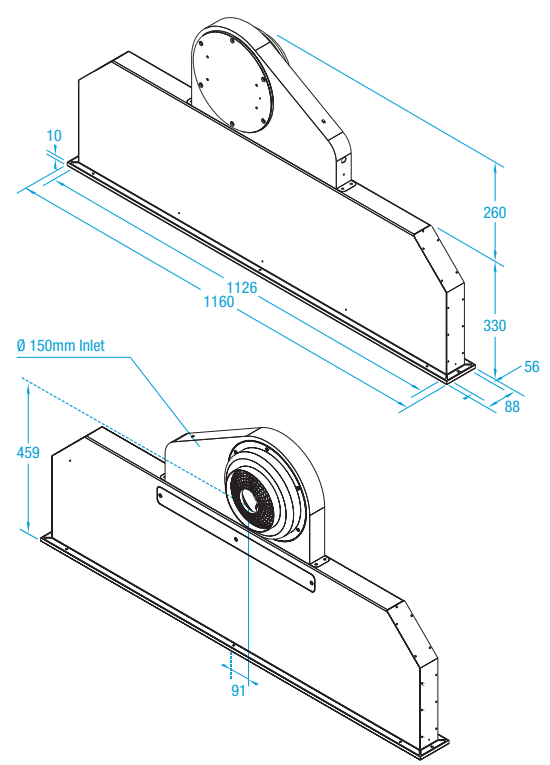
● Standard Inclusion ○ Optional - Not Available



**Your Hood. Your Colour. Your Way.** Select your hood finish.



## Dimensioned Drawing



  
PROUDLY AUSTRALIAN OWNED  
DESIGNED & BUILT IN MELBOURNE

  
PREMIUM GERMAN MADE  
MOTOR SYSTEMS

