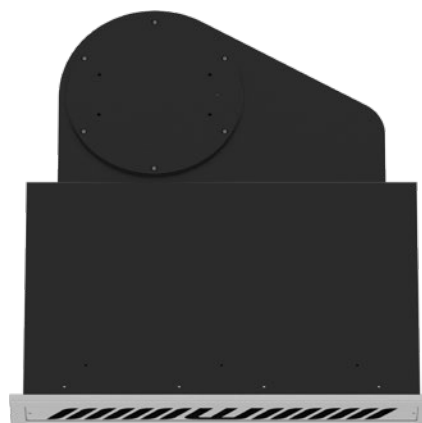


Specifications	
Model No.	X2B06S
Hood Mounting	Undermount
Dimensions	Hood Width 560mm
	Hood Depth 88mm
	Hood Height 330mm
Cooking Surface Coverage (cm)	50-75cm
Min Install Height	600mm
Recommended Install Height	700-750mm
Induction Suitable	●
Finish	AISI304 1.2mm Food Grade ●
	Your Colour Available ○
Filtration	Type: W-Vent ●
	Vent Quantity 1
Electronics	MasterMind ●
	Controls Synchronised MasterMind Electronic Control
	Wireless Remote ○
	Speed Settings 3 Speed + Boost Mode
	Timer Function Programmable Timer 10min Increments
	Auto Fan Shut Off Auto Off After 2-Hours Of Inactivity
Inlet	Outlet Position - Top ●
	Outlet Position - Rear ○
	Outlet Quantity 1
	Ducting (Onboard Motor) Zlikon Duct - Dia. 150mm 5M Length Supplied

SELECT YOUR HOOD & MOTOR COMBINATION		X2B06S1 / X2B06S2	
On Board	Air 550	550m ³ /hr	.0A
	AirX 550	550m ³ /hr	.0AX

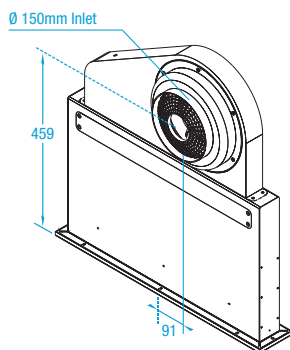
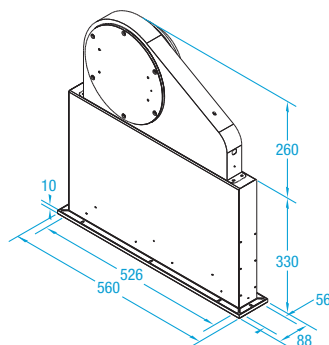
● Standard Inclusion ○ Optional - Not Available



Your Hood. Your Colour. Your Way. Select your hood finish.



Dimensioned Drawing



5 YEAR WARRANTY
COMMERCIAL USE & LABOUR



10 YEAR WARRANTY
REPLACEMENT PARTS & MOTOR



LIFETIME
REPLACEMENT PARTS WARRANTY



PROUDLY AUSTRALIAN OWNED
DESIGNED & BUILT IN MELBOURNE



PREMIUM GERMAN MADE
MOTOR SYSTEMS

