

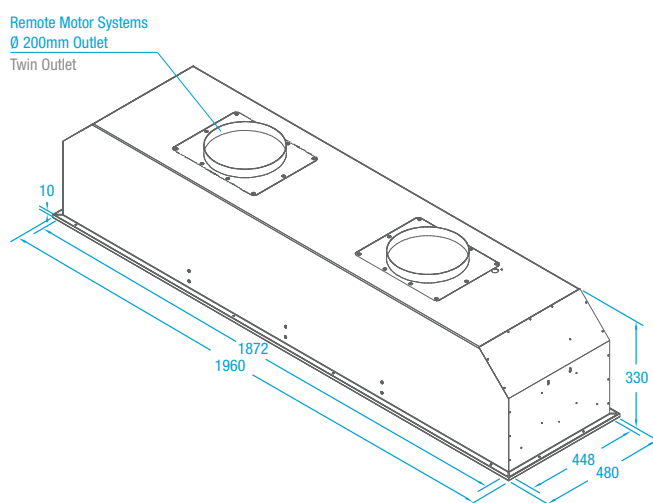
Product Features

Hood Mounting	Alfresco Built In (Under Mount)
Cooking Coverage	Suits 150cm - 200cm Cooking Surfaces
Filtration	S-Flow Baffle Filters 5x (H-25) - Dishwasher Safe
Lighting	LED 8x (1.0W)
Finish	AISI316 1.2mm High Grade Stainless Steel
Controls	LED Backlit 4 Button <i>mastermind</i> Electronic Control with LED Speed Indicator with Remote Controller
Speed Settings	3 Speed + Boost Mode
Timer Function	Programmable Timer (10min Increments) + Auto Shut Off After 2Hrs Of Inactivity
Ducting	200mm Acoustic Flexi Ducting - Five (5) Meter Length (2x Supplied)
Hood Width	1960mm
Hood Depth	480mm
Hood Height (Fascia)	330mm (Plus 25mm Top Outlet)

Filtration Zone



Dimensioned Drawing



Model / Extraction Unit Selection

X3W20S5.2EPP S Alfresco Built In Hood "Twin" KleenAir **Pro Plus** Remote Fan Solution - **2010 m³/hr** Remote **External** (Roof or Wall Mounted) Motor System

S Special Order - Delivery Time Approx. 8 weeks from Order.