

# ROME 90 ISLAND - WHITE FASCIA

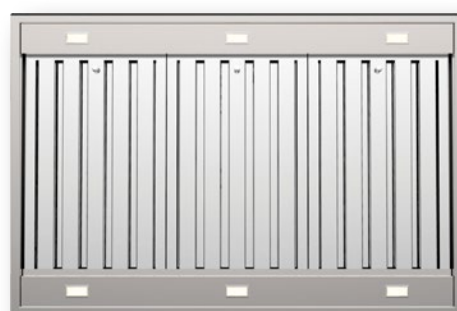


## Product Features

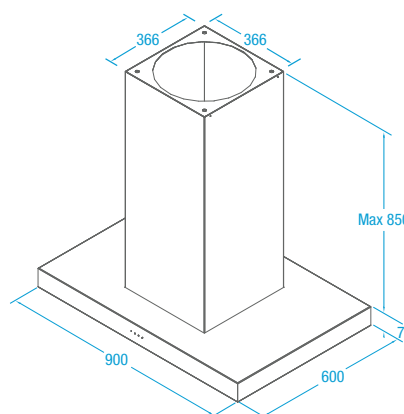
<b>Hood Mounting</b>	Island Hung
<b>Cooking Coverage</b>	Suits 75cm - 100cm Cooking Surfaces
<b>Filtration</b>	S-Flow Baffle Filters 3x (H-25) - Dishwasher Safe
<b>Lighting</b>	LED 6x (1.0W)
<b>Finish</b>	<b>AISI304 1.0mm</b> High Grade Stainless Steel
<b>Controls</b>	LED Backlit 4 Button <i>mastermind</i> Touch Control with LED Speed Indicator
<b>Speed Settings</b>	3 Speed + Boost Mode
<b>Timer Function</b>	Programmable Timer (10min Increments) + Auto Shut Off After 2Hrs Of Inactivity
<b>Ducting</b>	200mm Acoustic Flexi Ducting - Five (5) Meter Length (Supplied only with Remote Motors)
<b>Hood Width</b>	900mm
<b>Hood Depth</b>	600mm
<b>Hood Height (Fascia)</b>	75mm



## Filtration Zone



## Dimensioned Drawing



## Model / Extraction Unit Selection

<a href="#">X7R09W5.IP</a>	Island Hung Canopy	KleenAir <b>Pro</b> Remote Fan Solution - <b>1140 m³/hr</b>	Remote <b>Inline</b> Motor System
<a href="#">X7R09W5.EP</a>	Island Hung Canopy	KleenAir <b>Pro</b> Remote Fan Solution - <b>1140 m³/hr</b>	Remote <b>External</b> (Roof or Wall Mounted) Motor System
<a href="#">X7R09W5.EPP</a>	Island Hung Canopy	KleenAir <b>Pro Plus</b> Remote Fan Solution - <b>2010 m³/hr</b>	Remote <b>External</b> (Roof or Wall Mounted) Motor System
<a href="#">X7R09W5.OP/T</a>	Island Hung Canopy	KleenAir <b>Power</b> On Board Fan Solution - <b>1020 m³/hr</b>	<b>On-Board</b> Motor System - <b>Top</b> Ducted (150mm Outlet)
<a href="#">X7R09W6.OU/T</a>	Island Hung Canopy	KleenAir <b>Ultra</b> EC On Board Fan Solution - <b>1680 m³/hr</b>	<b>On-Board</b> Motor System - <b>Top</b> Ducted (Inc. Transition Duct)