

MONTE CARLO 60



Product Features

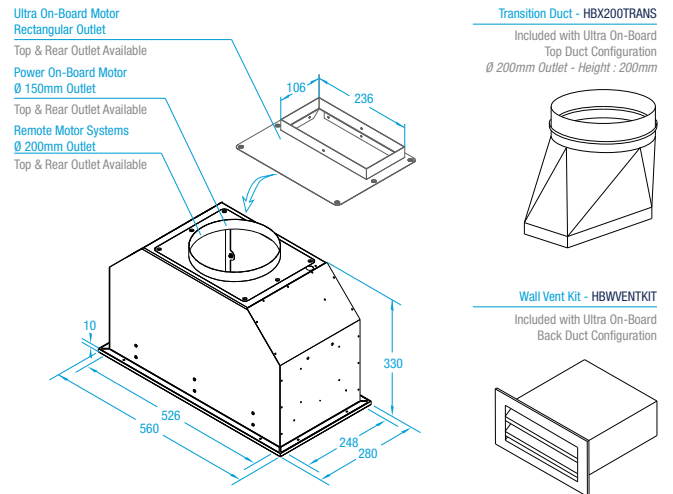
Hood Mounting	Built In (Under Mount)
Cooking Coverage	Suits 50cm - 75cm Cooking Surfaces
Filtration	S-Flow Baffle Filters 2x (H-25) - Dishwasher Safe
Lighting	LED 2x (1.0W)
Finish	AISI304 1.2mm High Grade Stainless Steel
Controls	LED Backlit 4 Button <i>mastermind</i> Electronic Control with LED Speed Indicator
Speed Settings	3 Speed + Boost Mode
Timer Function	Programmable Timer (10min Increments) + Auto Shut Off After 2Hrs Of Inactivity
Ducting	200mm Acoustic Flexi Ducting - Five (5) Meter Length (Supplied only with Remote Motors)
Hood Width	560mm
Hood Depth	280mm
Hood Height	330mm (Plus 25mm Top Outlet)



Filtration Zone



Dimensioned Drawing



Model / Extraction Unit Selection

X3M06S5.IL	Built In Hood	KleenAir Lite Remote Fan Solution - 800 m³/hr	Remote Inline Motor System
X3M06S5.EL	Built In Hood	KleenAir Lite Remote Fan Solution - 800 m³/hr	Remote External (Roof or Wall Mounted) Motor System
X3M06S5.IP	Built In Hood	KleenAir Pro Remote Fan Solution - 1140 m³/hr	Remote Inline Motor System
X3M06S5.EP	Built In Hood	KleenAir Pro Remote Fan Solution - 1140 m³/hr	Remote External (Roof or Wall Mounted) Motor System
X3M06S5.OP/T	Built In Hood	KleenAir Power On Board Fan Solution - 1020 m³/hr	On-Board Motor System - Top Ducted (150mm Outlet)
X3M06S5.OP/B	Built In Hood	KleenAir Power On Board Fan Solution - 1020 m³/hr	On-Board Motor System - Back Ducted (150mm Outlet)
X3M06S6.OU/T	Built In Hood	KleenAir Ultra EC On Board Fan Solution - 1680 m³/hr	On-Board Motor System - Top Ducted (Inc. Transition Duct)
X3M06S6.OU/B	Built In Hood	KleenAir Ultra EC On Board Fan Solution - 1680 m³/hr	On-Board Motor System - Back Ducted (Inc. Wall Vent Kit)