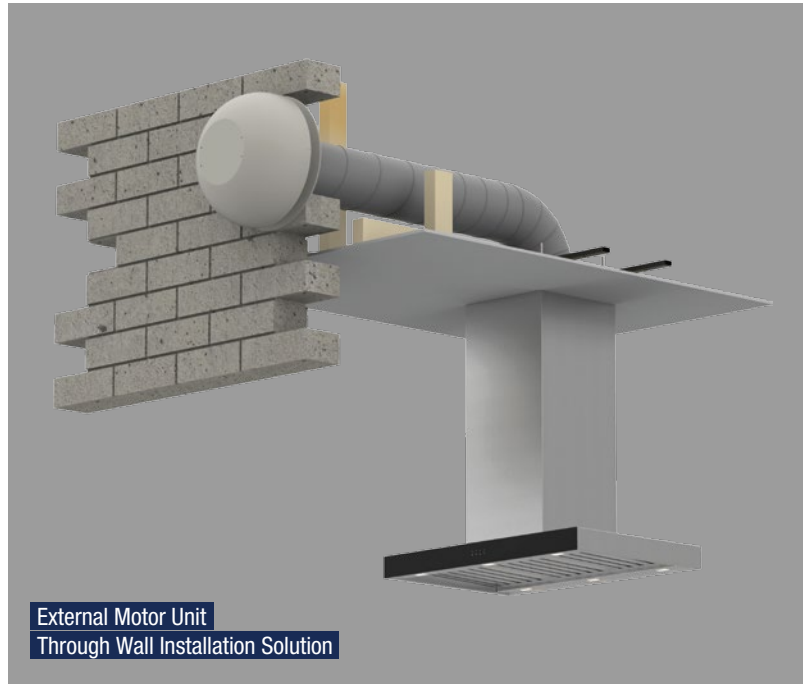


# REMOTE FAN MOTOR - EXTERNAL UNIT



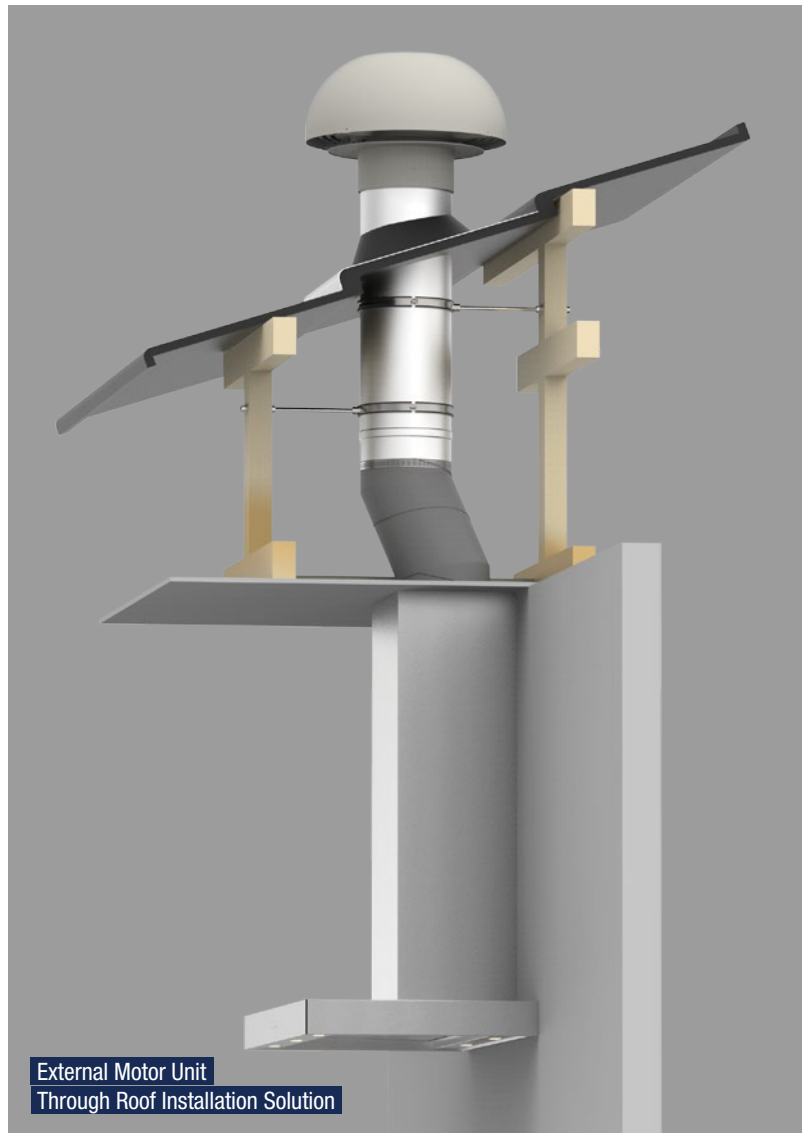
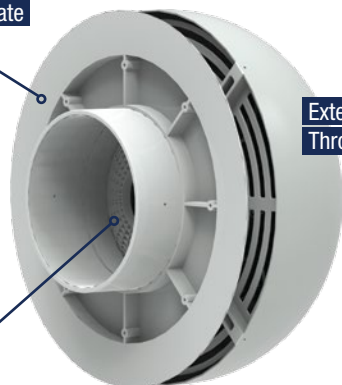
## Product Features

<b>Motor Mounting</b>	External - Through Roof or Wall Mount
<b>Extraction Levels Available</b>	<p>Model: <b>EL.800</b>  <b>Lite - 800 m<sup>3</sup>/hr</b> (222 L/s @ 50pa)</p> <p>Model: <b>EP.1140</b>  <b>Pro - 1140 m<sup>3</sup>/hr</b> (317 L/s @ 50pa)</p> <p>Model: <b>EPP.2010</b>  <b>Pro Plus - 2010 m<sup>3</sup>/hr</b> (558L/s @ 50pa)</p>
<b>Finish</b>	High Grade Galvanised Steel with Powder Coated Finish - Colour: Shale Grey
<b>Ducting</b>	200mm Acoustic (PVC Coated) Flexi Ducting Five (5) Metre Length Supplied
<b>Duct Clamps</b>	Dia. 200mm (Stainless Steel) - 2X Units Supplied
<b>Fan Power Supply</b>	Cable Length: Three (3) Metres
<b>Sound Pressure Level</b>	<p>EL.800: 50dB(A)* when operating at 'Boost' speed</p> <p>EP.1140: 56dB(A)* when operating at 'Boost' speed</p> <p>EPP.2010: 62dB(A)* when operating at 'Boost' speed</p> <p><i>* Outside Level @ 1M &amp; System Pressure 50pa</i></p>



Dimensioned Drawings

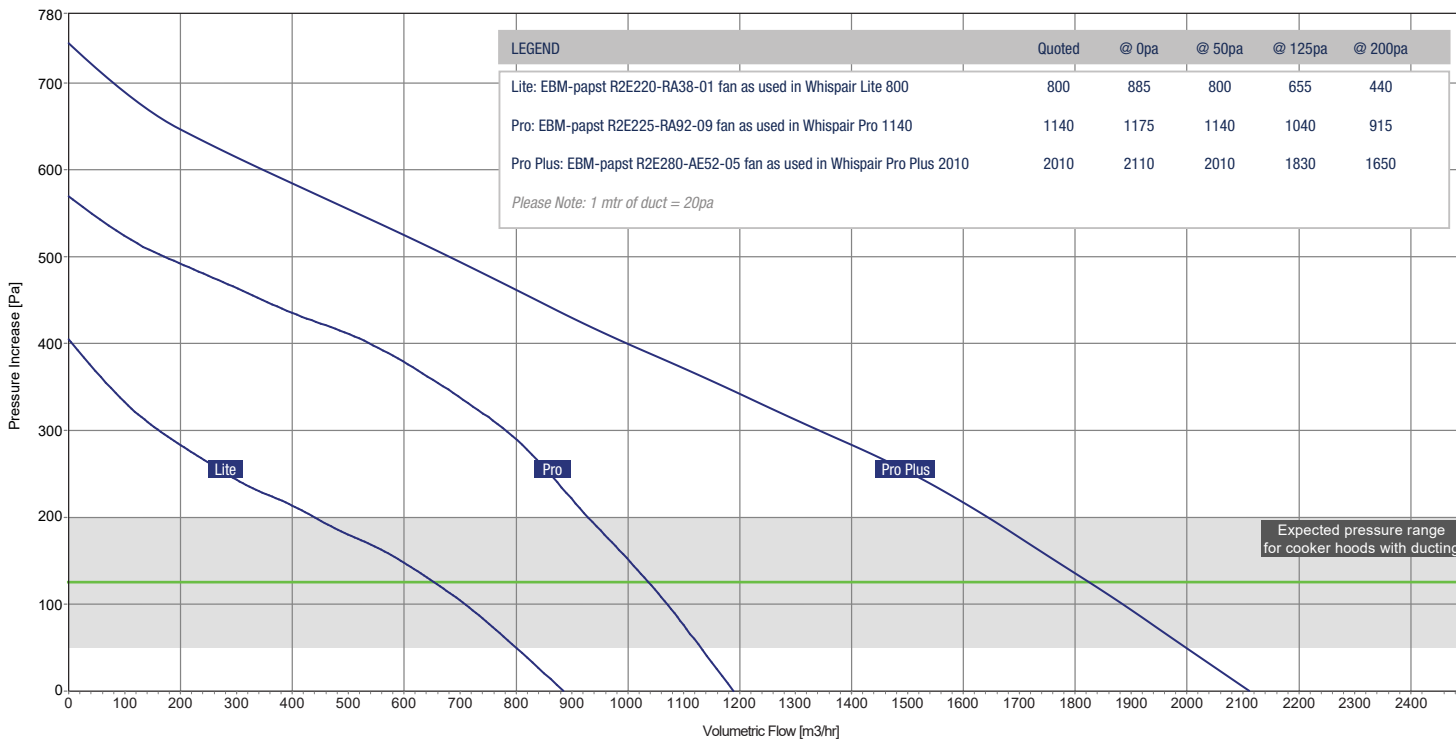
Optional Wall Mounting Plate HBXP24



# REMOTE FAN MOTOR - EXTERNAL UNIT



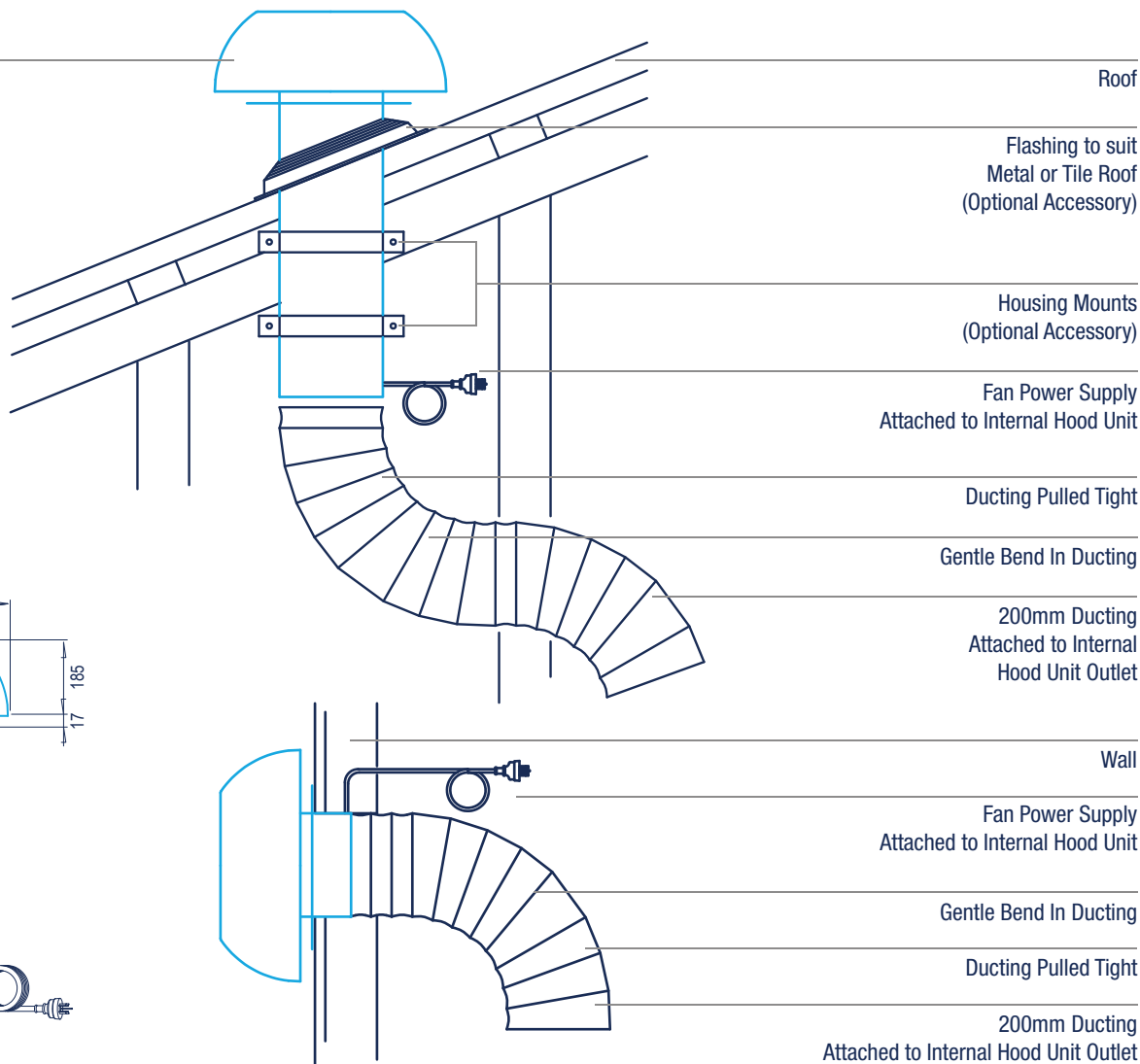
## Performance Charts



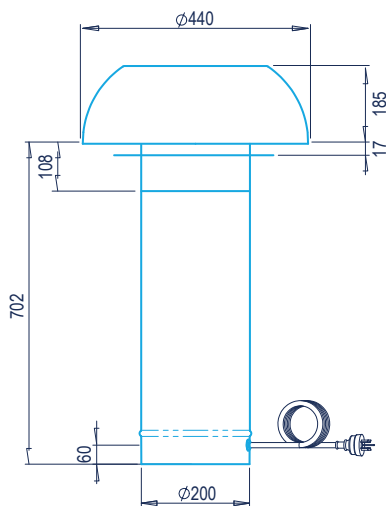
## Installation Schematics



**EXTERNAL KLEENAIR FAN MOTOR SOLUTION**  
Roof (Upper) and Wall (Lower) Mounted



## Dimensioned Drawings



**whispair**