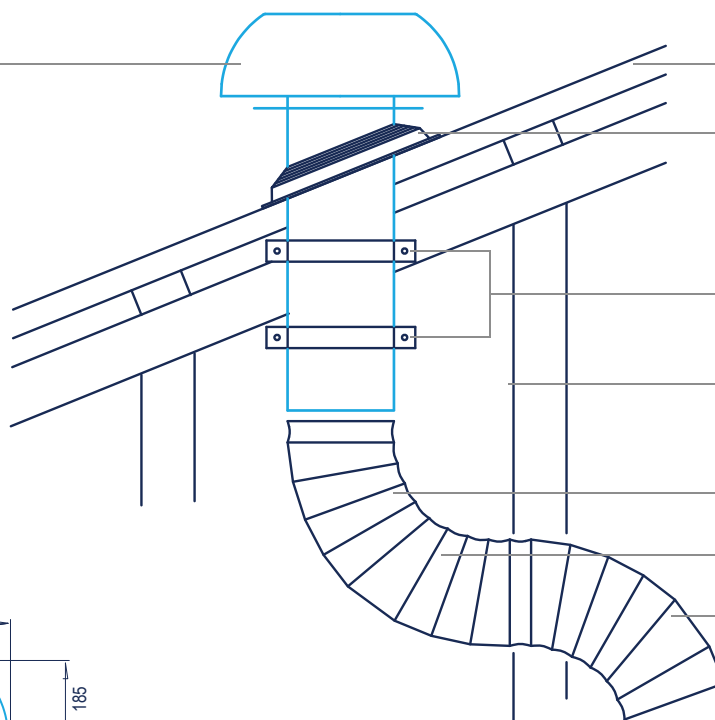


KLEENAIR REMOTE FAN MOTOR INSTALLATION CONFIGURATIONS



EXTERNAL KLEENAIR FAN MOTOR SOLUTION Roof (Upper) and Wall (Lower) Mounted



Roof

Flashing to suit Metal or Tile Roof (Optional Accessory)

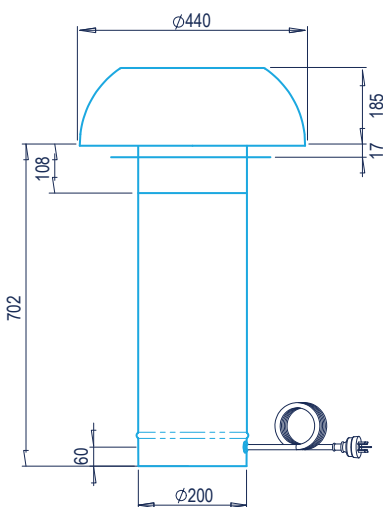
Housing Mounts (Optional Accessory)

Fan Power Supply Attached to Internal Hood Unit

Ducting Pulled Tight

Gentle Bend In Ducting

200mm Ducting Attached to Internal Hood Unit Outlet



Wall

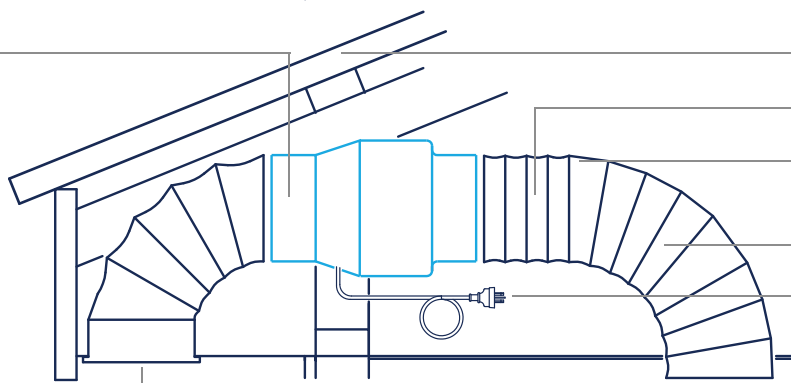
Fan Power Supply Attached to Internal Hood Unit

Gentle Bend In Ducting

Ducting Pulled Tight

200mm Ducting Attached to Internal Hood Unit Outlet

INLINE KLEENAIR FAN MOTOR SOLUTION Eave (Upper) and Wall (Lower) Vented



Roof

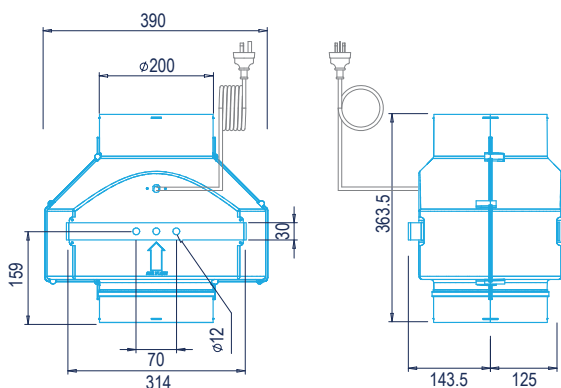
Ducting Pulled Tight

200mm Ducting Attached to Internal Hood Unit Outlet

Gentle Bend In Ducting

Fan Power Supply Attached to Internal Hood Unit

Vent & Eave



Wall

Fan Power Supply Attached to Internal Hood Unit

Gentle Bend In Ducting

Ducting Pulled Tight

200mm Ducting Attached to Internal Hood Unit Outlet

Vent