

CHICAGO 100

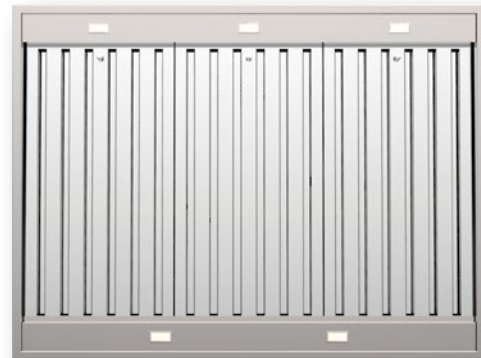


Product Features

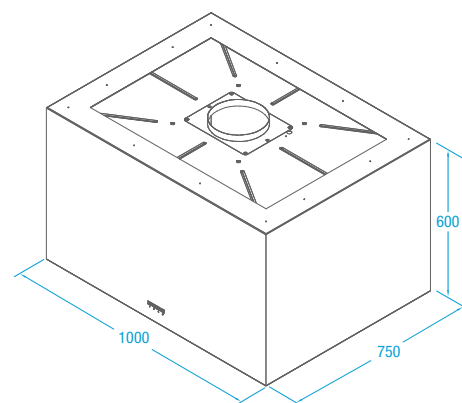
| | |
|-----------------------------|---|
| Hood Mounting | Alfresco Wall or Island Hung |
| Cooking Coverage | Suits 80cm - 100cm Cooking Surfaces |
| Filtration | S-Flow Baffle Filters 3x (H-25) - Dishwasher Safe |
| Lighting | LED 5x (1.0W) |
| Finish | AISI316 1.0mm High Grade Stainless Steel |
| Controls | LED Backlit 4 Button <i>mastermind</i> Electronic Control with LED Speed Indicator with Remote Controller |
| Speed Settings | 3 Speed + Boost Mode |
| Timer Function | Programmable Timer (10min Increments) + Auto Shut Off After 2Hrs Of Inactivity |
| Ducting | 200mm Acoustic Flexi Ducting - Five (5) Meter Length |
| Hood Width | 1000mm |
| Hood Depth | 750mm |
| Hood Height (Fascia) | 600mm |



Filtration Zone



Dimensioned Drawing



Model / Extraction Unit Selection

X5C10S5.EPP Alfresco Wall / Island Hung Canopy KleanAir **Pro Plus** Remote Fan Solution - **2010 m³/hr** Remote **External** (Roof or Wall Mounted) Motor System